



Gantom DMX V2 with
Accessory Kit



Gantom DMX V2



Gantom DMX V2 with Snoot
and Diffusion Lens

Date
Project
Fixture
Comments

Description

Our most popular 4W color controllable LED spotlight has been re-engineered to be the most versatile and high-fidelity color rendering source of its kind on the market. The Gantom DMX V2 features an accessory retainer ring that allows for easy beam shaping attachments such as diffusion lens, snoots, half hats and hex louvers. The V2 has native spot optics (same as the original Gantom DMX Spot) and the included diffusion lens allow for 4 additional field-swappable beam angles. Glare control accessories and various mounting options are also available. The Gantom DMX V2 features Pro Cable connectors for a truly reliable weather-tight connection and is available in RGBW or Dynamic White LEDs. **For our Dynamic White fixture, we have achieved a Preference and Fidelity Priority of P1/F2 across most of the fixture's CCT range. We have summarized the results below.** We humbly invite you to examine our full TM-30 report.

Applications

- ▶ Themed entertainment
- ▶ Dark rides
- ▶ Restaurants
- ▶ Museums
- ▶ Retail
- ▶ Theatres
- ▶ Hotels
- ▶ Lobbies
- ▶ Trade shows

Features

- ▶ Homogenous narrow beam optics
- ▶ Available in RGBW or dynamic white options
- ▶ TM-30 P1/F2 rating on dynamic white fixture
- ▶ Non-linear dimming curve for smooth fading
- ▶ Dims to 0.05%
- ▶ Constant intensity algorithm for any color
- ▶ Minimized on-camera flicker
- ▶ Integrated DMX receiver
- ▶ Integrated quad channel constant current driver
- ▶ Pro Cable connector

TM-30-20

Specification Criteria for
Gantom DMX V2 Dynamic White

CCT	Preference Fidelity Priority	R _f	R _g	R _{cs,h1}	R _{f,h1}	R _a (CRI)
2650K	P2/F2	91	97	-2%	93	95
4200K	P1/F2	91	100	+1%	93	92
6200K	P1/F2	90	99	+1%	92	93

How to Order

Standard Fixtures

GP291 Gantom DMX V2 Dynamic White - Pro Cable Connector

GP292 Gantom DMX V2 RGBW - Pro Cable Connector

Track Mount Fixtures

TL291 Gantom DMX V2 Dynamic White - Eutrac Low Voltage Adapter

TL292 Gantom DMX V2 RGBW - Eutrac Low Voltage Adapter

Beam Control Accessories

FA38 Gantom DMX V2 Accessory Pack (Snoot, Angled Cowling, and Hex Louver with Retaining Ring)

Recessed Mount Option

PM57 - Ping R37/R41 - Black Recessed Mount

All fixtures feature Pro Cable connectors (power and data integrated to a single 5 pin connector) unless specified as a custom order.

Track mount fixtures are attached to Eutrac low voltage track adapters. Other configurations (LED, housing color, cables) are available as a custom item. Please email sales@gantom.com for more information.

Technical Specifications

Source

LED model	Cree XML-RGBW LED or Custom DW LED
-----------	------------------------------------

LED Color

RGBW	Red 625nm, Green 530nm, Blue 460nm, White 6500K
Dynamic White	2650K (95 CRI) / 6200K (93 CRI)

Electrical

Voltage range	12-24VDC DO NOT HOT PLUG
Wattage	4.8W max
Dimming Compatability	DMX
Connector	Gantom Pro Cable Connector

Physical

Materials	Machined aluminum
IP rating	IP65 - temporary outdoor
Weight	138 grams (4.9 oz)

Photometrics at Full Power

	Beam / Field Angle	1m Illuminance (3.3ft)	2m Illuminance (6.6ft)	3m Illuminance (9.8ft)
RGBW Beam / Field Angle Bare optics	16° / 32°	940 lx (87 fc)	260 lx (24 fc)	112 lx (10 fc)
RGBW Beam / Field Angle Narrow diffuser - 1 Notch - (C-HE10)	18° / 36°	771 lx (72 fc)	218 lx (20 fc)	98 lx (9 fc)
RGBW Beam / Field Angle Medium diffuser - 2 Notch - (C-HE30)	30° / 58°	330 lx (31 fc)	99 lx (9 fc)	44 lx (4 fc)
RGBW Beam / Field Angle Wide diffuser - 3 Notch - (C-HE80)	55° / 98°	100 lx (9 fc)	28 lx (3 fc)	13 lx (1 fc)
RGBW Beam / Field Angle Assymmetric diffuser - U Notch	16° / 46° short axis 39° / 67° long axis	230 lx (21 fc)	66 lx (6 fc)	30 lx (3 fc)
DW Beam / Field Angle Bare optics	23° / 44°	1400 lx (130 fc)	360 lx (33 fc)	160 lx (15 fc)
DW Beam / Field Angle Narrow diffuser - 1 Notch - (C-HE10)	24° / 46°	900 lx (84 fc)	263 lx (24 fc)	115 lx (11 fc)
DW Beam / Field Angle Medium diffuser - 2 Notch - (C-HE30)	34° / 63°	460 lx (43 fc)	125 lx (12 fc)	55 lx (5 fc)
DW Beam / Field Angle Wide diffuser - 3 Notch - (C-HE80)	55° / 99°	114 lx (11 fc)	35 lx (3 fc)	16 lx (1 fc)
DW Beam / Field Angle Assymmetric diffuser - U Notch	30° / 50° short axis 46° / 77° long axis	315 lx (29 fc)	83 lx (8 fc)	36 lx (3 fc)

Thermal

Ambient operating temperature	0-50° C
Cooling method	passive

DMX

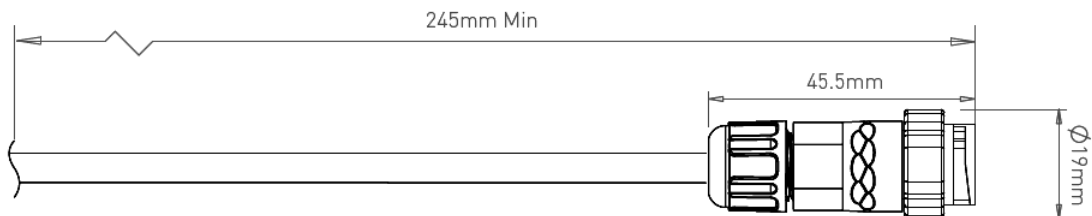
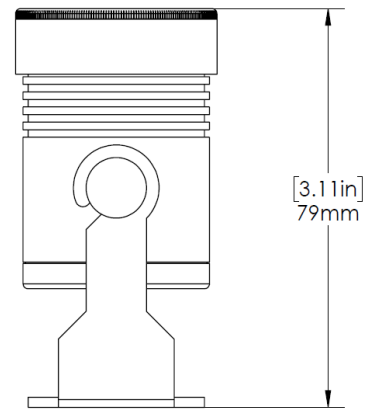
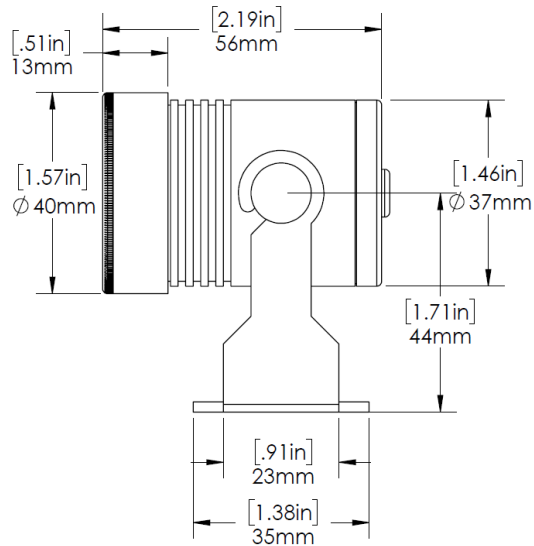
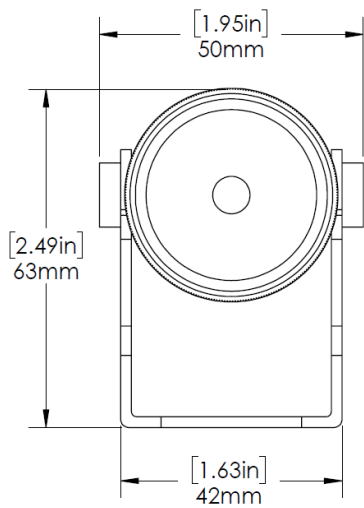
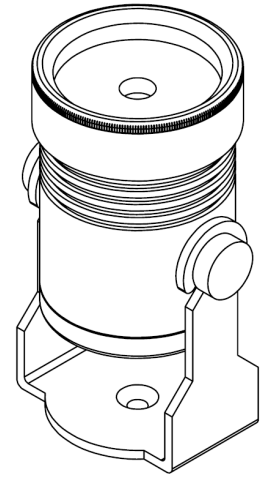
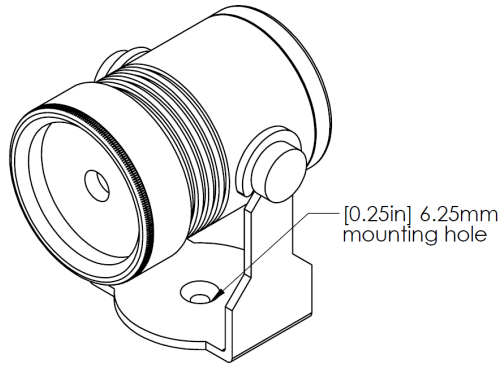
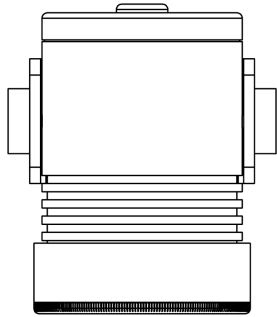
Channel Footprint	RGBW: 4 DW: 2
Channel Mapping	RGBW: 1 R, 2 G, 3 B, 4 W DW: 1 CW, 2 WW
Addressing	Gantom Programmer App or DarkBox Programmer
Lowest Dimming Level	0.05%

Warranty

Fixture	2 years
---------	---------

Certifications

USA / Canada	UL
Europe	CE



Male Pro Cable Branch Connector

Gantom takes light source color rendition very seriously and strives to be a leading manufacturer of LED lighting fixtures that presents the subject in the best light, literally. Using the TM-30-20 documentation and tools provided by the Illumination Engineering Society (IES), we have generated the following report to help with your specification needs as it pertains to the Gantom DMX V2 Dynamic White and Gantom R4 Dynamic White fixtures. These fixtures feature a warm white chip at 2650K and a cool white chip at 6200K. Both chips exhibit high preference and fidelity priority levels per Table E-2 of the ANSI/IES TM-30-20 standard.

TM-30-20

Specification Criteria for
Gantom DMX V2 Dynamic White & Gantom R4 Dynamic White

CCT	Preference Fidelity Priority	R_f	R_g	$R_{cs,h1}$	$R_{f,h1}$	R_a (CRI)
2650K	P2/F2	91	97	-2%	93	95
4200K	P1/F2	91	100	+1%	93	92
6200K	P1/F2	90	99	+1%	92	93

Table E-2. Recommended Specification Criteria.

		Design Intent (The desired effect of color rendition on the illuminated environment)		
		Preference (P)	Vividness (V)	Fidelity (F)
Priority Level (The balance between allowing for tradeoffs and increasing the likelihood of meeting the design intent)	1	P1	V1	F1
		P2	V2	F2
		P3	V3	F3

$R_f \geq 78$	$R_g \geq 118$	$R_f \geq 95$
$R_g \geq 95$	$R^o \geq 110$	$R_f \geq 90$
$-1\% \leq R_{cs,h1} \leq 15\%$	$R_{cs,h1} \geq 15\%$	$R_{f,h1} \geq 90$
$R_f \geq 75$	$R_g \geq 100$	$R_f \geq 85$
$R_g \geq 92$	$R_{cs,h1} \geq 6\%$	$R_{f,h1} \geq 85$
$-7\% \leq R_{cs,h1} \leq 19\%$	$R_g \geq 100$	
$R_f \geq 70$	$R_{cs,h1} \geq 0\%$	
$R_g \geq 89$		
$-12\% \leq R_{cs,h1} \leq 23\%$		

Table note: All criteria assume a polychromatic environment with average horizontal illuminance between 200 and 700 lux and uniform chromaticity.

Table E-2 of the ANSI/IES TM-30-20 Standard Available for Free Download:
<https://store.ies.org/product/tm-30-20-ies-method-for-evaluating-light-source-color-rendition/>

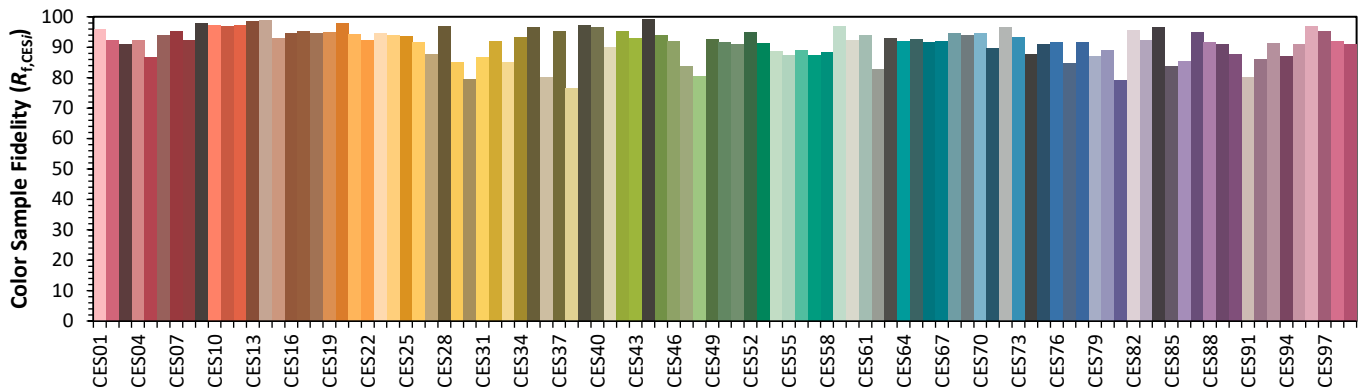
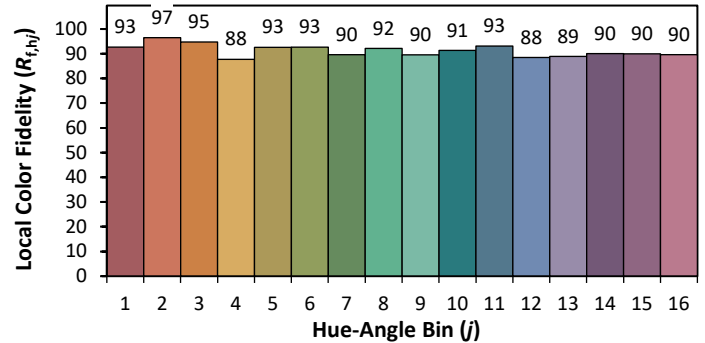
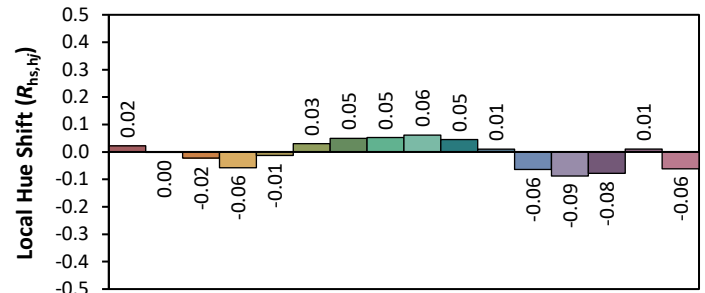
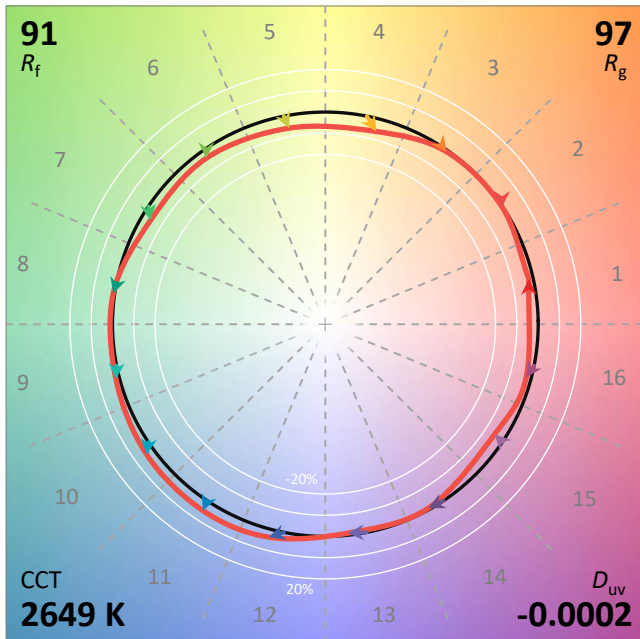
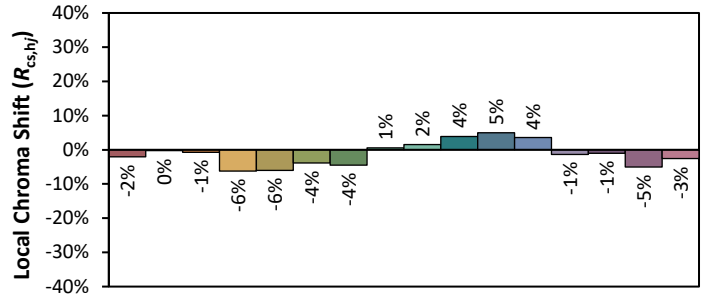
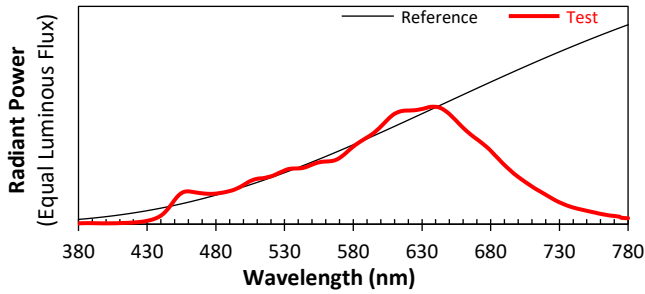
ANSI/IES TM-30-18 Color Rendition Report

Source: Dynamic White LED - 100% WW 0% CW

Manufacturer: Gantom

Date: 3/19/2021

Model: Gantom DMX V2



Notes: This is a recommended method for displaying ANSI/IES TM-30-18 information.

x 0.4637
 y 0.4108
 u' 0.2649
 v' 0.5280

CIE 13.3-1995	
(CRI)	
R _a	95
R _g	83

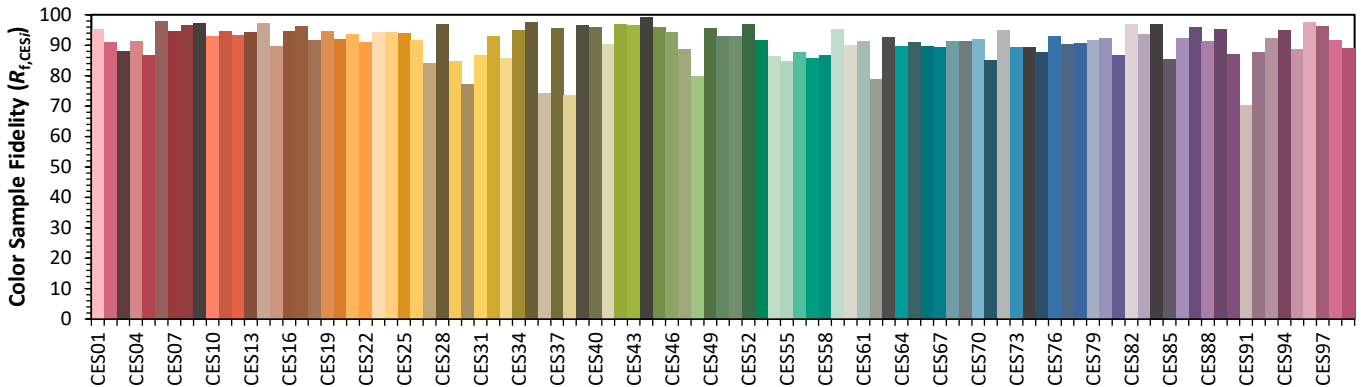
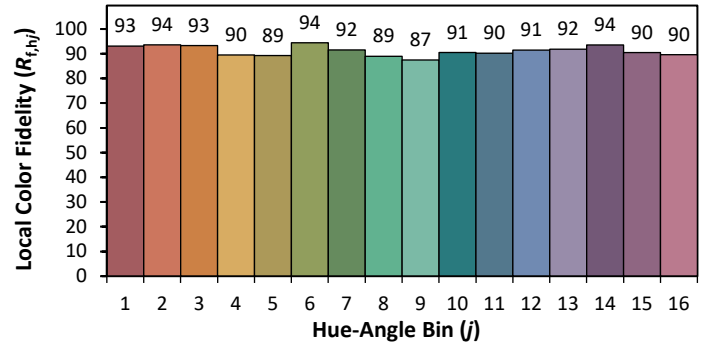
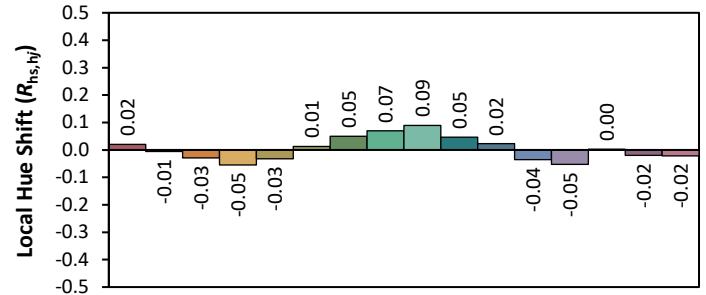
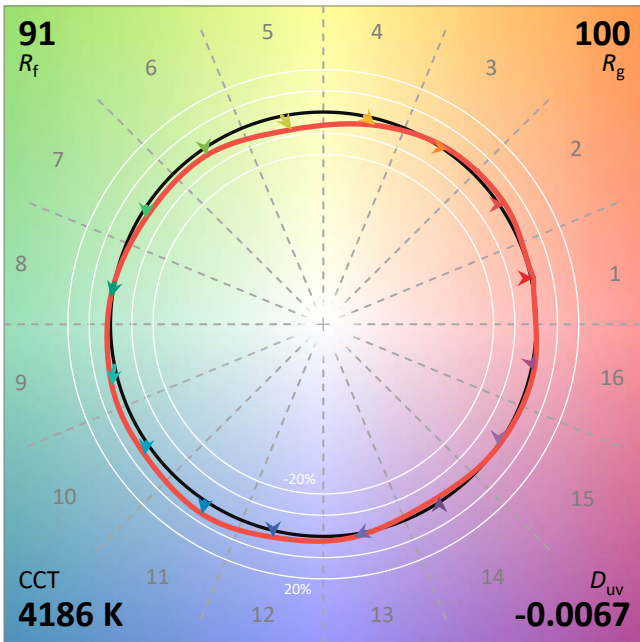
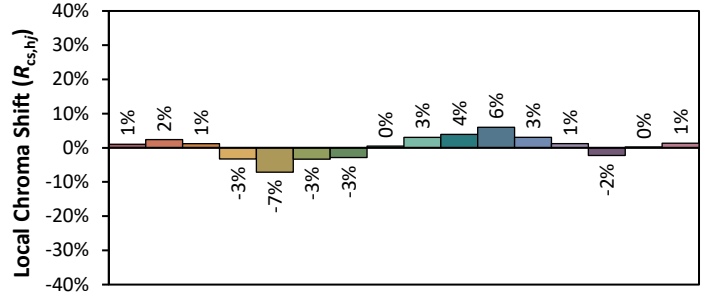
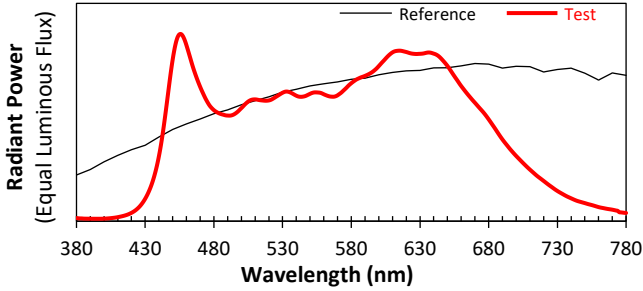
ANSI/IES TM-30-18 Color Rendition Report

Source: Dynamic White LED - 50% WW 50% CW

Manufacturer: Gantom

Date: 3/19/2021

Model: Gantom DMX V2



Notes: This is a recommended method for displaying ANSI/IES TM-30-18 information.

x 0.3688
y 0.3555
u' 0.2260
v' 0.4901

CIE 13.3-1995
(CRI)

R_a 92
R_g 84

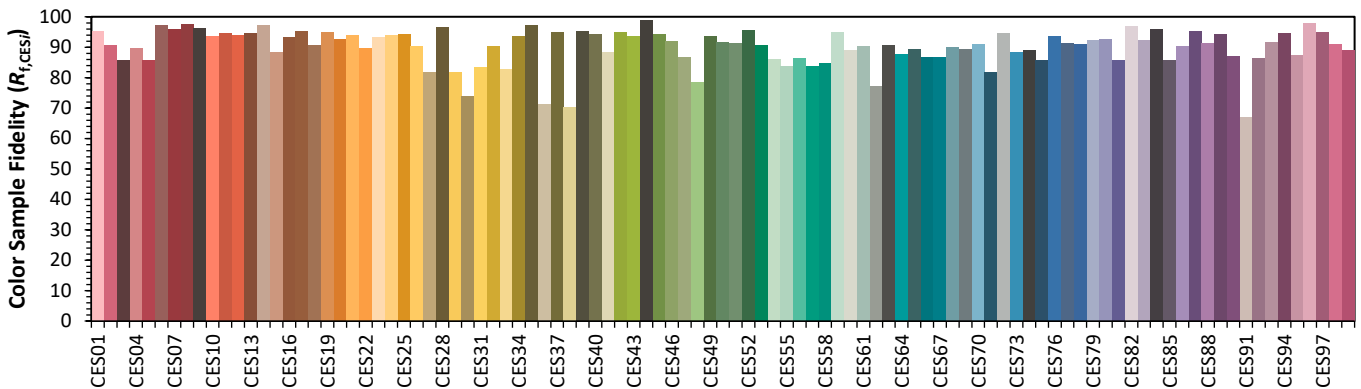
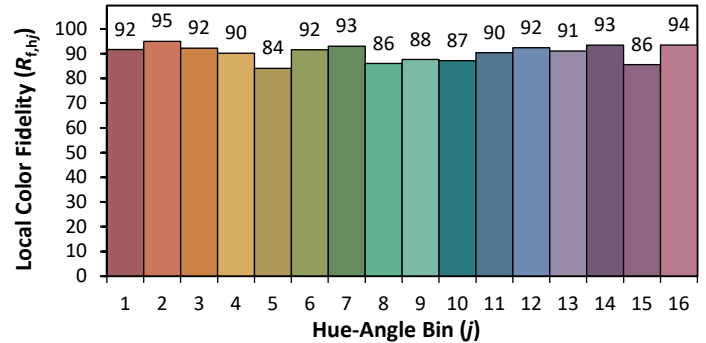
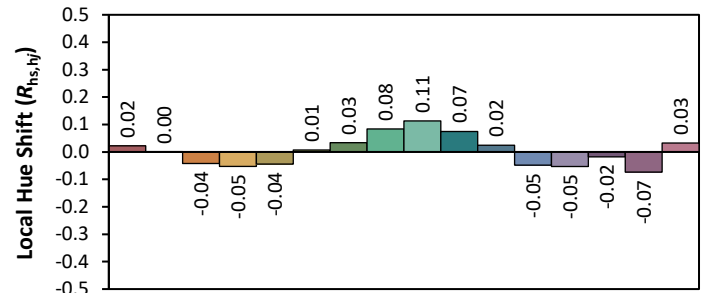
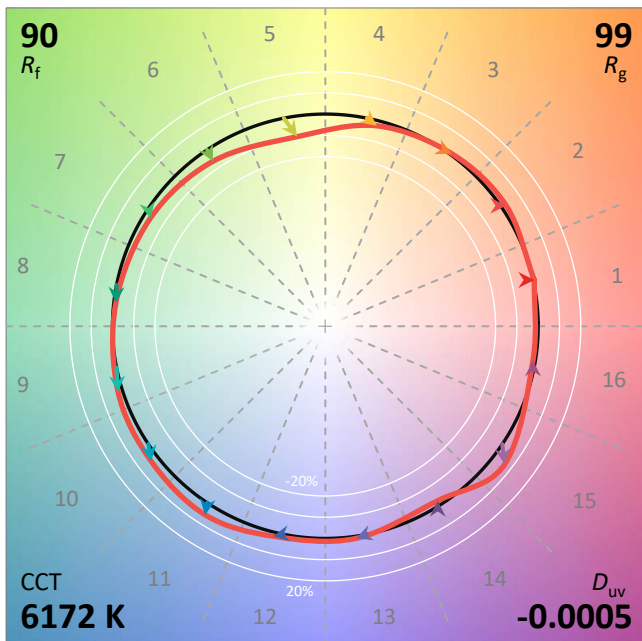
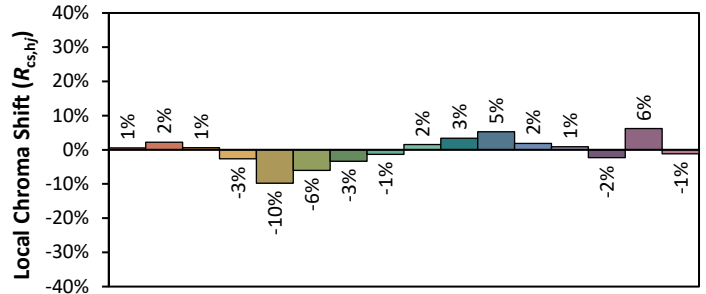
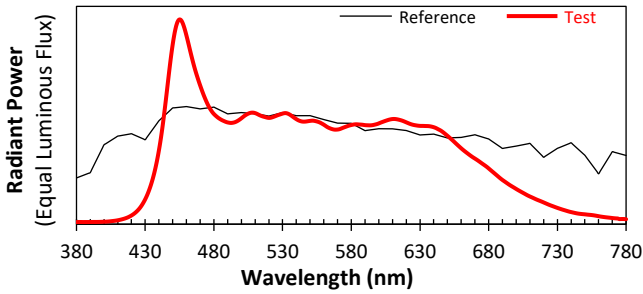
ANSI/IES TM-30-18 Color Rendition Report

Source: Dynamic White LED - 0% WW 100% CW

Manufacturer: Gantom

Date: 3/19/2021

Model: Gantom DMX V2



Notes: This is a recommended method for displaying ANSI/IES TM-30-18 information.

x 0.3191
y 0.3279
u' 0.2027
v' 0.4687

CIE 13.3-1995
(CRI)

R_a 93
R_g 87